

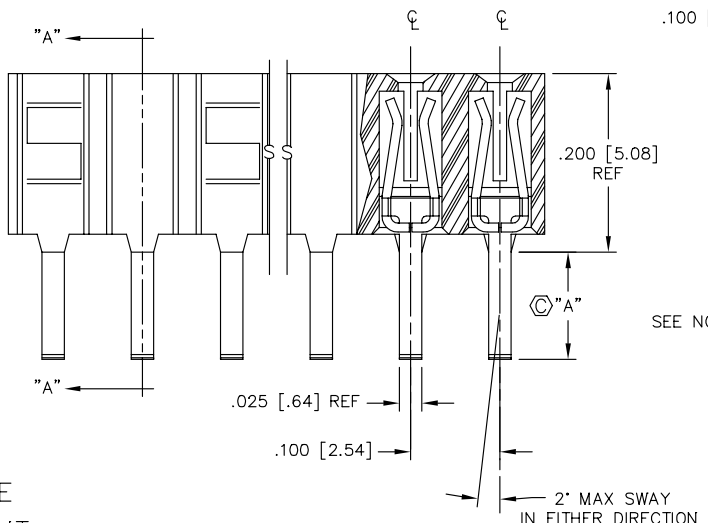
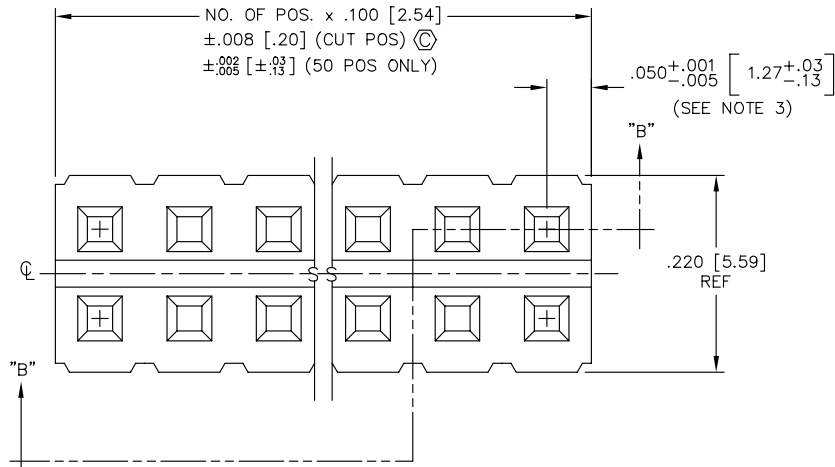
NOTES:

- CONTACT RETENTION 2 LB MIN EXCEPT ON POSITIONS NEXT TO CUT, THEN 1 LB MIN.
- MAX ALLOWABLE BOW: .006 [-.15] IN/IN
- "END WALLS" AFTER CUTTING SHOULD BE $.015 \pm .001$ [$.38 \pm .03$].
- Ⓢ REPRESENTS A CRITICAL DIMENSION.
- CUT FLASH: .015 [.38] MAX WITH NO FLASH ALLOW IN HOLES.
- .003 [.08] MAX TERMINAL BURR.
- TOOLING WITNESS LINES ALLOWED IN THIS AREA ONLY.

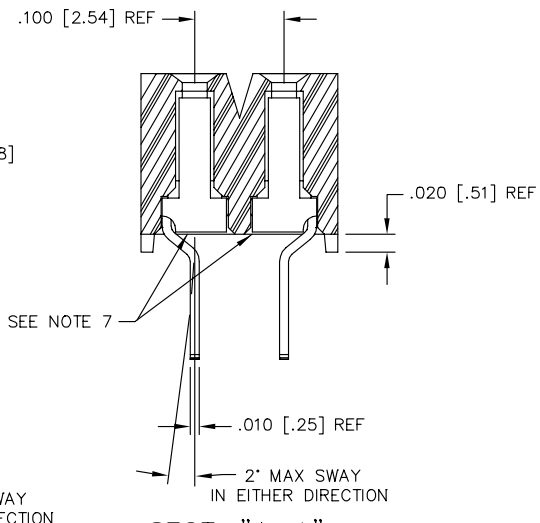
DIMENSIONS ARE IN INCHES		UNLESS OTHERWISE NOTED		TOLERANCES ARE:		TITLE:	DWG NO:
ONE PLACE DECIMALS $\pm .1$ [.3]	THREE PLACE DECIMALS $\pm .005$ [.13]	ANGLES $\pm 2^\circ$		CLOSED ENTRY SOCKET STRIP DOUBLE ROW ASSEMBLY		CES-1XX-XX-X-D	SHEET 1 OF 1
TWO PLACE DECIMALS $\pm .01$ [.3]	FOUR PLACE DECIMALS $\pm .0020$ [.051]						

CES-1XX-XX-X-D

- POSITION SPECIFICATIONS**
-01 THRU -50
- CONTACT LEAD STYLE**
-01: "A" = $.124 \pm .004$ [$3.15 \pm .10$] (USE C-45-02-X)
-02: "A" = .215 [5.46] (USE C-45-02-X)
- ROW SPECIFICATION**
-D: DOUBLE (USE CES-XX-D)
- PLATING SPECIFICATIONS**
-T: TIN - SPECIFY -T IN CONTACT SUFFIX -X
-G: GOLD - SPECIFY -G IN CONTACT SUFFIX -X
-S: SELECTIVE - SPECIFY -S IN CONTACT SUFFIX -X
-F: FLASH GOLD - SPECIFY -F IN CONTACT SUFFIX -X (AVAILABLE IN -01 LEAD STYLE ONLY)



SECT. "B-B"



SECT. "A-A"

PT-1-24-01-95

PACKAGING VIEW LEAD STYLE -01
SCALE: .75

PT-1-24-02-53

NOTE:
PINS TO ALL BE FACING THE SAME DIRECTION

PACKAGING VIEW LEAD STYLE -02
SCALE: .75

PACKAGING TABLE (5 POS MIN)		
CONTACT LEAD STYLE	PACKAGING TUBE	TUBE PLUG
-01	PT-1-24-01-95	TP-09
-02	PT-1-24-02-53	TP-09

DO NOT SCALE FROM THIS PRINT

PROPRIETARY NOTE
THIS DOCUMENT CONTAINS INFORMATION CONFIDENTIAL AND PROPRIETARY TO SAMTEC INC. AND SHALL NOT BE REPRODUCED OR TRANSFERRED TO OTHER DOCUMENTS OR DISCLOSED TO OTHERS OR USED FOR ANY PURPOSE OTHER THAN THAT FOR WHICH IT WAS OBTAINED WITHOUT THE EXPRESSED WRITTEN CONSENT OF SAMTEC INC.

MATERIAL:
GLASS FILLED POLYESTER
COLOR: BLACK

TERMINAL:
PHOS BRONZE



EXISPROD\ASSEMBLY\100
CES-ASMD
520 PARK EAST BLVD. NEW ALBANY, INDIANA 47150
PHONE (812) 944-6733 P.O. BOX 1147
CODE 55322

MADE BY: REIDINGER 9-9-92 CES-1XX-XX-X-D
SHEET 1 OF 1